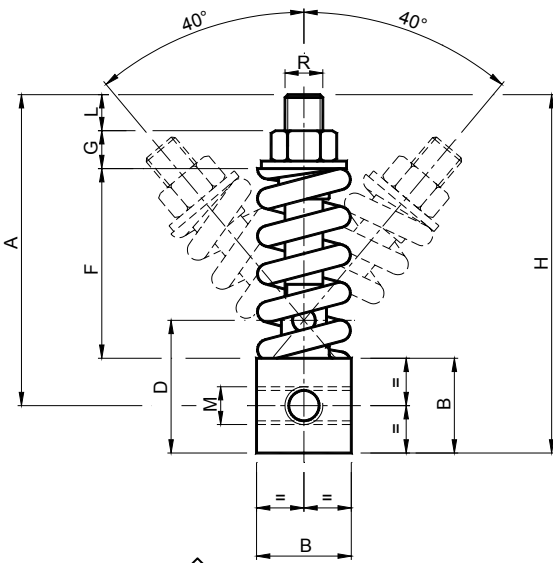


Elementi elastici **ARCO** – Tipo: **AR ( $\pm 40^\circ$ )** / *ARCO Elastic elements – Type: AR ( $\pm 40^\circ$ )*



**MATERIALI** Acciaio. Spina di rotazione in ottone.  
**TRATTAMENTI** Zincatura bianca.  
**IMPIEGO** Angolo di rotazione  $\pm 40^\circ$ .  
 Temperatura di lavoro  $-30^\circ\text{C}$  a  $+120^\circ\text{C}$ .

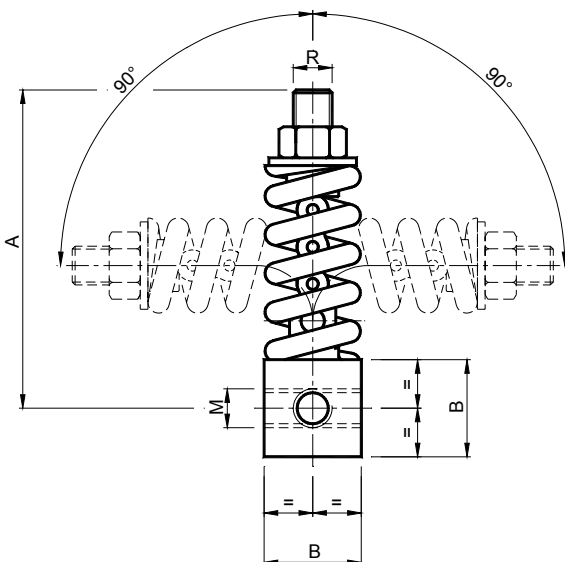
**MATERIALS** Steel. Rotation pin made of brass.  
**TREATMENTS** White galvanization.  
**USE** Rotation angle  $\pm 40^\circ$ .  
 Working temperature  $-30^\circ\text{C}$  a  $+120^\circ\text{C}$ .



$\pm 40^\circ$														
Tipo Type	Cod. N°	A	B	D	F	G	H	L	M	R	Newton 0°÷ 40° 0°÷ 90°	Peso Weight in Kg	Tipo Type	Cod. N°
AR 10	AR070000	71.5	25	35	42	7	84	10	M8	M10	0 ÷ 100	0.18	ARN 10	AR070070
AR 20	AR070010	91.5	25	35	57	10	104	12	M10	M10	0 ÷ 150	0.24	ARN 20	AR070080
AR 30	AR070020	91.5	25	35	57	10	104	12	M12	M10	0 ÷ 300	0.24	ARN 30	AR070090
AR 40	AR070030	121.5	35	50	76	14	139	14	M16	M14	0 ÷ 800	0.64	ARN 40	AR070100
AR 50	AR070040	164	50	70	100	20	189	19	M20	M20	0 ÷ 1500	2.35	ARN 50	AR070110
AR 60	AR070050	208	70	95	126	24	243	23	M24	M24	0 ÷ 2500	5.70	ARN 60	AR070120

$\pm 90^\circ$

Elementi elastici **ARCO** – Tipo: **ARN ( $\pm 90^\circ$ )** / *ARCO Elastic elements – Type: ARN ( $\pm 90^\circ$ )*



**MATERIALI** Acciaio.  
**TRATTAMENTI** Zincatura bianca.  
**IMPIEGO** Angolo di rotazione  $\pm 90^\circ$ .  
 Temperatura di lavoro  $-30^\circ\text{C}$  a  $+120^\circ\text{C}$ .

**MATERIALS** Steel.  
**TREATMENTS** White galvanization.  
**USE** Rotation angle  $\pm 90^\circ$ .  
 Working temperature from  $-30^\circ\text{C}$  a  $+120^\circ\text{C}$ .

